

WIRED ELECTRONIC MOTORS, Ø 40 MM

T3.5 AUTO+



ROLLER SHUTTER

#### AUTOMATIC SETTING OF THE UP AND DOWN END-LIMIT

... the roller shutter must be equipped with up and down stoppers.

#### AN AUTO-ADAPTIVE DISTRESSING FUNCTION AT END-LIMITS (UP AND DOWN)

...to suit all end-products. **PATENTED SYSTEM**

#### STOP ON OBSTACLE FUNCTION

... the motor stops when closing in the case of an obstacle.

#### FROST DETECTION FUNCTION

... the motor stops when opening if the shutter curtain is stuck in the guide rails by frost or if the bottom lath is locked.

#### PERMANENT READJUSTMENT OF END-LIMITS

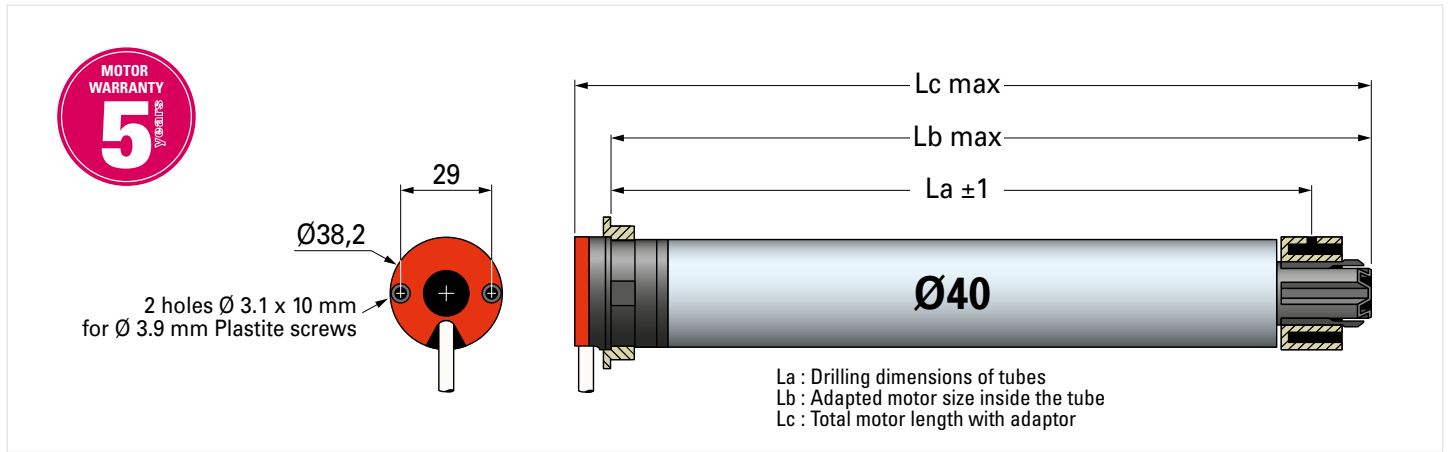
... thanks to the self-learning and constant revising of the up and down end-limit positions. It adapts thus to the variation in length of the shutter curtain over time.

#### CLASS II MOTOR

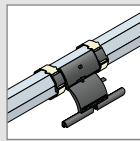
...no earth connection required.



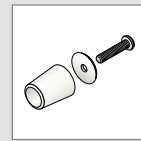
## DIMENSIONS T3.5 AUTO+



### MANDATORY EQUIPMENT FOR THE AUTOMATIC SETTING MODE



Locks



Conical stoppers or stoppers integrated into the guide rails

## MOTOR RANGE T3.5 AUTO+

POWER SUPPLY 230V - 50 Hz - Cable 2.5 meters

| DESCRIPTION      | TORQUE | SPEED  | POWER | CURRENT | La     | Lb     | Lc     | WEIGHT  | REFERENCES x1 | REFERENCES x10 |
|------------------|--------|--------|-------|---------|--------|--------|--------|---------|---------------|----------------|
| T3.5 AUTO+ 04/16 | 4 Nm   | 16 rpm | 100 W | 0.39 A  | 450 mm | 473 mm | 488 mm | 1.03 kg | 2009380       | 2009383        |
| T3.5 AUTO+ 09/16 | 9 Nm   | 16 rpm | 110 W | 0.52 A  | 472 mm | 495 mm | 510 mm | 1.20 kg | 2009381       | 2009384        |
| T3.5 AUTO+ 13/10 | 13 Nm  | 10 rpm | 110 W | 0.52 A  | 472 mm | 495 mm | 510 mm | 1.23 kg | 2009382       | 2009385        |

## TECHNICAL CHARACTERISTICS T3.5 AUTO+

**POWER SUPPLY** 230 Volts - 50 Hz

**THERMAL CUT-OUT** 4 minutes

**END-LIMIT** Electronic system with operating limited to 3 min.  
the readjustment is automatic and permanent

**PROTECTION INDEX** IP 44

**POWER CABLE** cable white 2.5 meters (2x0.75mm<sup>2</sup> wires, white H03 VVF)

**MOTOR HEAD THICKNESS** 14 mm

**4 CYCLES PER DAY** non consecutive

**INSULATION CLASS** Class II motor

**COMPLIANCE** European standards (EN) + IEC standards (international standards)

**CERTIFICATIONS**



**& STANDARD**

Visit our website: [www.simu.com](http://www.simu.com)



E-catalogue



Manuals



Videos



Recommendations



FAQ

Visit our Youtube channel: YouTube

